

Efficient-Tec International LLC.

Marker Lights Rope Lighting LED Flood Strips Flexstrips LED Light Bars LED Neon Flex Step and Aisle Lighting Wall Washers LED Street Lights

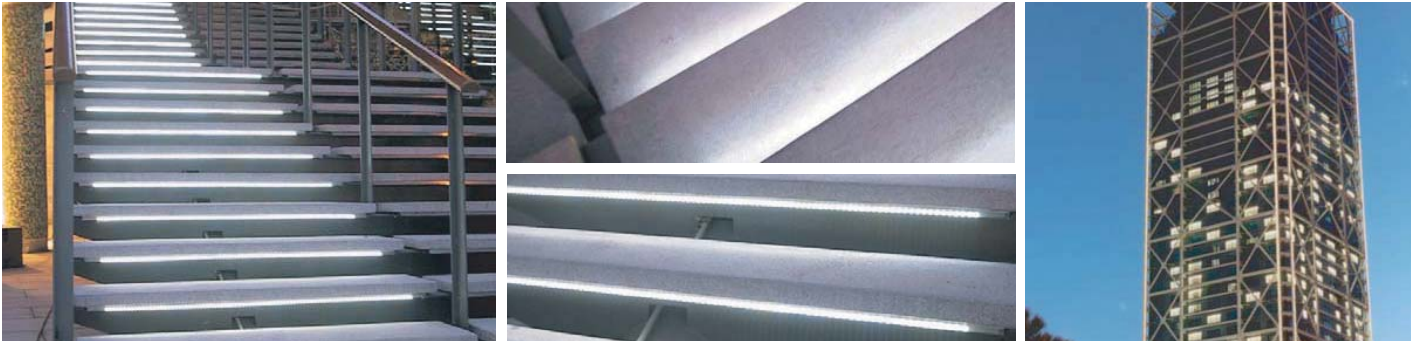
Professional LED-Lighting





LED FLOODSTRIPS “LFS”





Characteristics

- "LFS" with one line of high brightness LEDs has been designed for indirect or direct lighting, both for indoor and outdoor applications.
- Available in the following colors: blue, green, red, yellow white and warm white.
- "LFS" has an excellent tolerance for vibration and shock, quite different from neon and other forms of fluorescent lighting.
- "LFS" is outfitted with LEDs powered at 24V DC with a life expectancy of approximately 100,000 hours, corresponding to a normal use of 11 years.
- Ideal for direct lighting of building perimeters,as well as for steps, walk-ways, furniture, coves, kitchens, casinos, theme-parks, restaurants, bars, hotels, signage and much more.
- "LFS" strips are housed in a polycarbonate, fire retardant, clear square tube. The tube slide into an anodized aluminum track. This can be attached with double sided tape or may be mechanically fastened using standard screws and hardware.

Technical Data

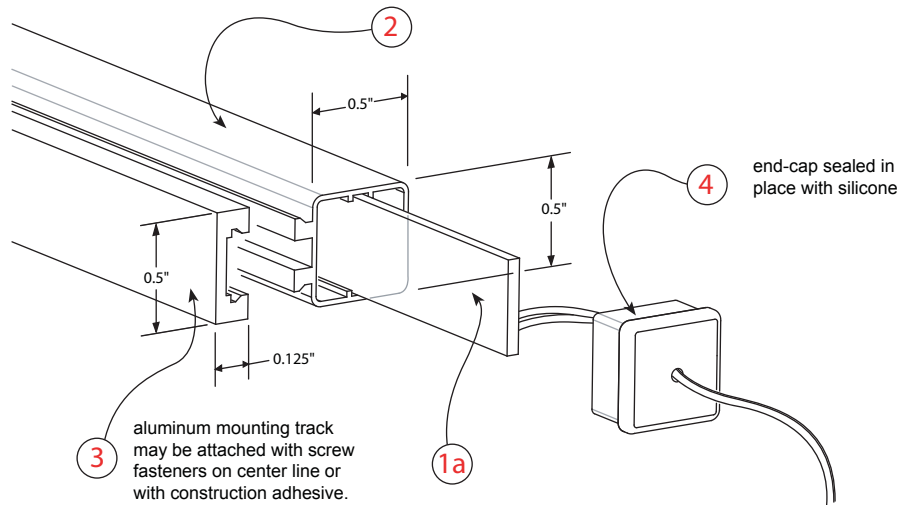


24=	2.4W per ft.		SMD 500 MCD
			0.39" for 90°
	max length 15ft	.66" LED spacing	0.5" for 45°
		120° SMD	colors B,G,R,Y W & WW

12= power supply on pages 104 & 105

Individual LFS Components

1a		electronic module 0.39" wide 18 SMD LEDs per ft.	24=	colors B,G,R,Y W & WW		90° strip	8020502
1b		electronic module 0.5" wide 18 SMD LEDs per ft.	24=	colors B,G,R,Y W & WW		45° strip	8020504
2		clear polycarbonate tube	polycarb.	0.5" x 0.65"		90° or 45°	M130306/c01
3		aluminum mounting track	alu.			90° or 45°	M130021
4		end cap	polycarb.			90° or 45°	M200201



Complete pre-mounted and pre-cut shipments

Complete 90° mounted circuit board

	electronic module 0.39" wide 20.3 SMD LEDs per ft	24=	colors B,G,R,Y W & WW		90° strip	7100102-B 7100102-G 7100102-R 7100102-W 7100102-Y 7100102-WW	Blue Green Red White Yellow Warm White
					18 LEDs per ft.		
12= power supply on pages 104 & 105							

Complete 45° mounted circuit board

	electronic module 0.5" wide 20.3 SMD LEDs per ft	24=	colors B,G,R,Y W & WW		45° strip	7100104-B 7100104-G 7100104-R 7100104-W 7100104-Y 7100104-WW	Blue Green Red White Yellow Warm White
					18 LEDs per ft.		
12= power supply on pages 104 & 105							