

Efficient-Tec International LLC.

Walkway Handrail

Stairway Handrail

Illuminated Handrail

Wire Rope Infills

Rod Infills

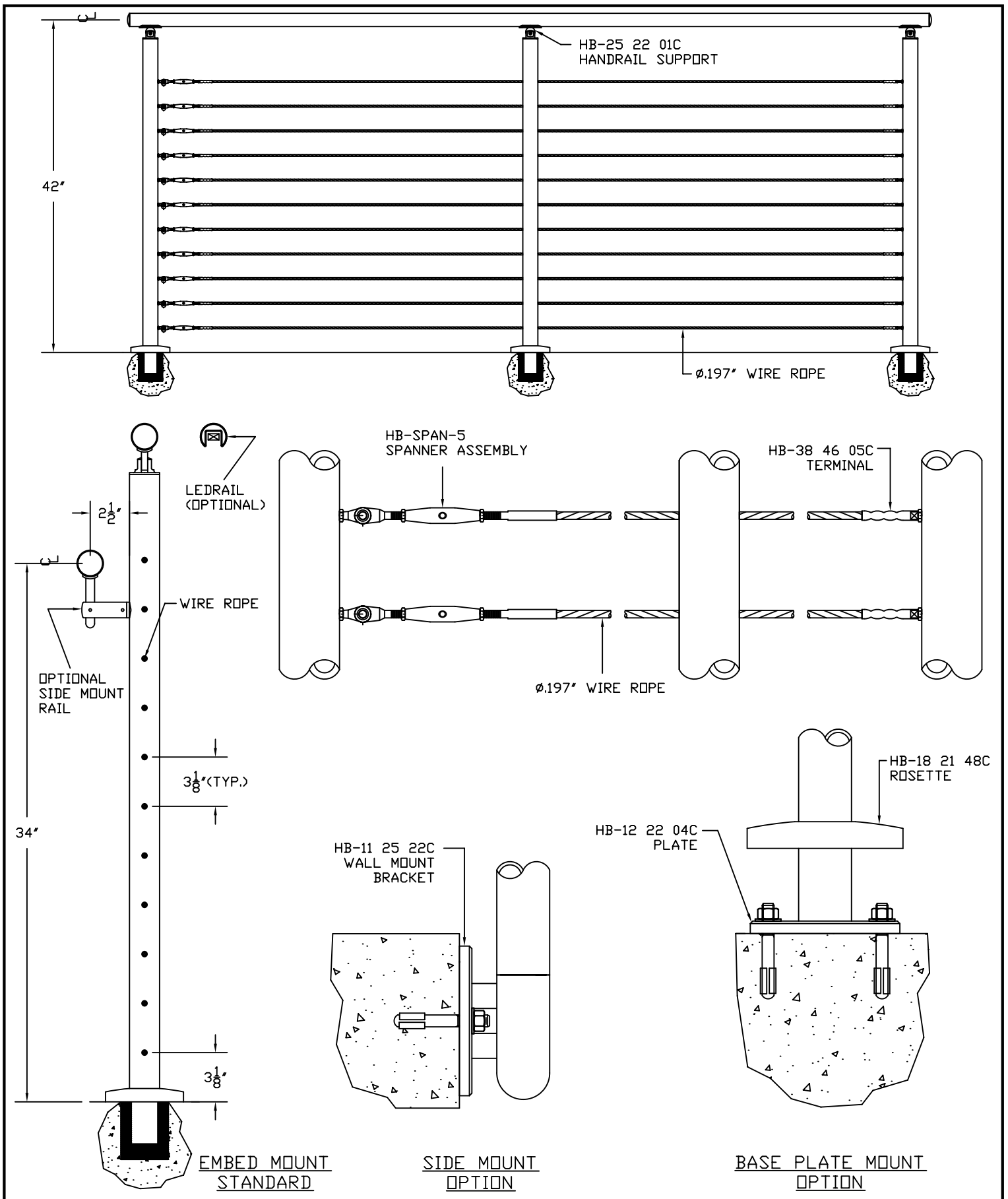
Glass Infills

Spiral Staircases

Glass Canopies

Stainless Steel Systems





Description:
CABLE THROUGH POST DESIGN

Drawn: GTG

Sheet No.:

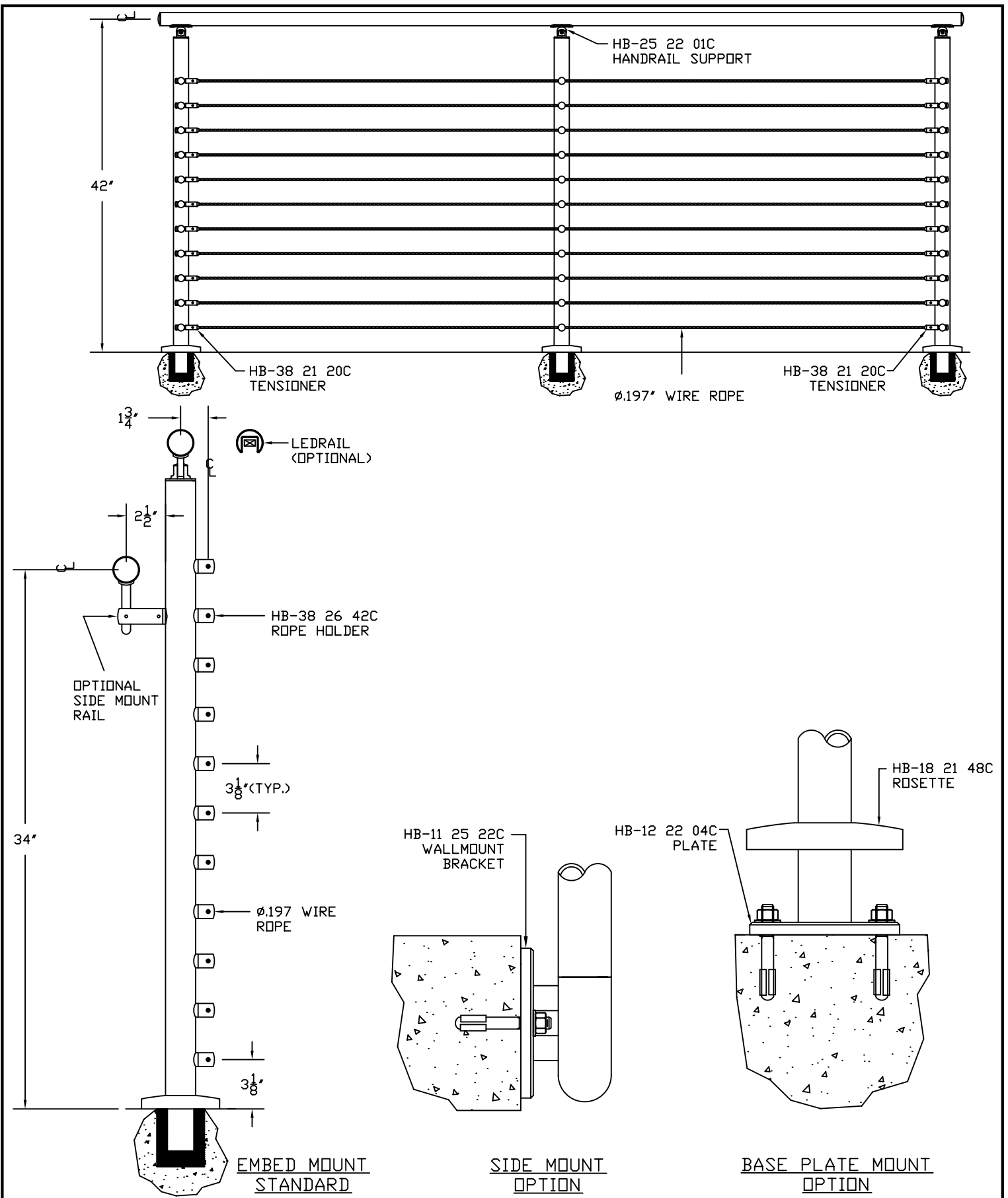
Date: 05/28/09

6 OF 7

ETI efficient-tec international llc.
9659 Wendell Road Dallas, TX 75243 tel. 866.356.4458

Job Number:

Part Number:



Description: CABLE OFFSET DESIGN -	Drawn: GTG Date: 05/28/09	Sheet No.: 7 OF 7
ETI efficient-tec international llc. 9659 Wendell Road Dallas, TX 75243 tel. 866.356.4458	Job Number: -	Part Number: -