

Efficient-Tec International LLC.

Walkway Handrail

Stairway Handrail

Illuminated Handrail

Wire Rope Infills

Rod Infills

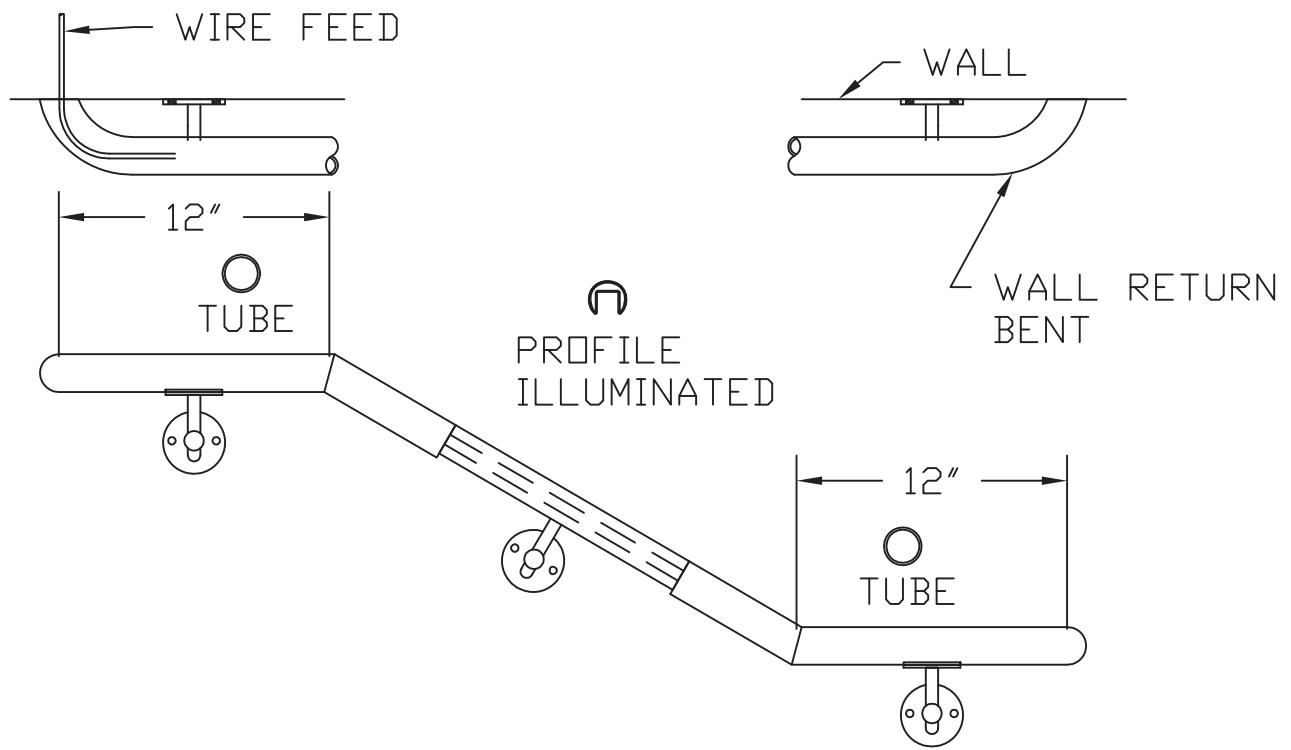
Glass Infills

Spiral Staircases

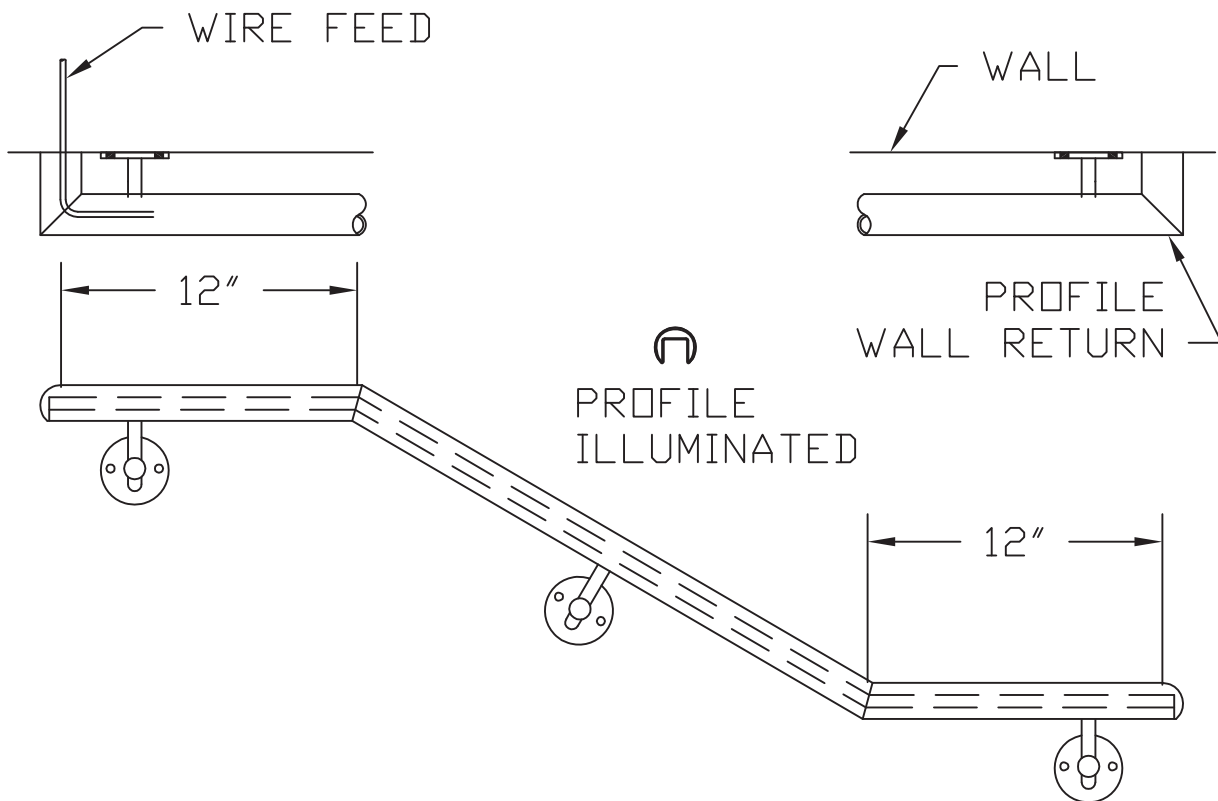
Glass Canopies

Stainless Steel Systems

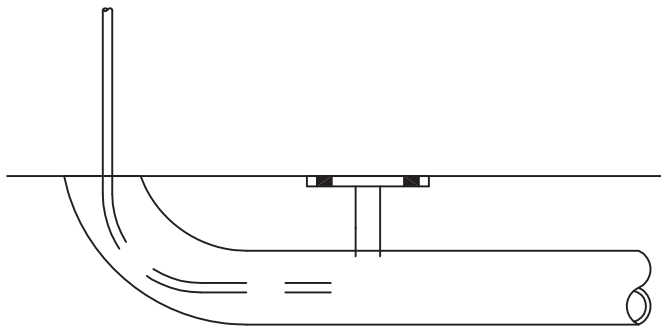




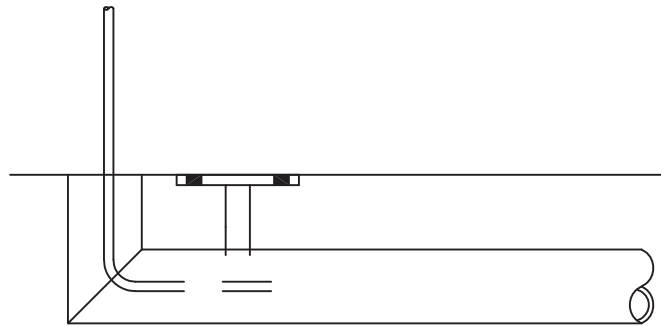
RAIL WITH TOP AND BOTTOM BENT EXTENSIONS



RAIL WITH TOP AND BOTTOM PROFILE EXTENSIONS

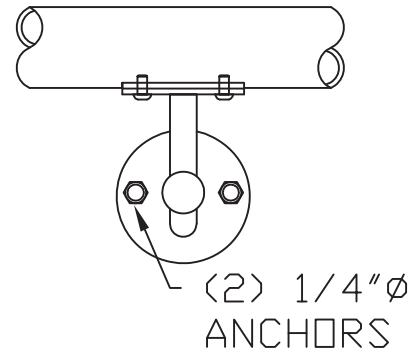
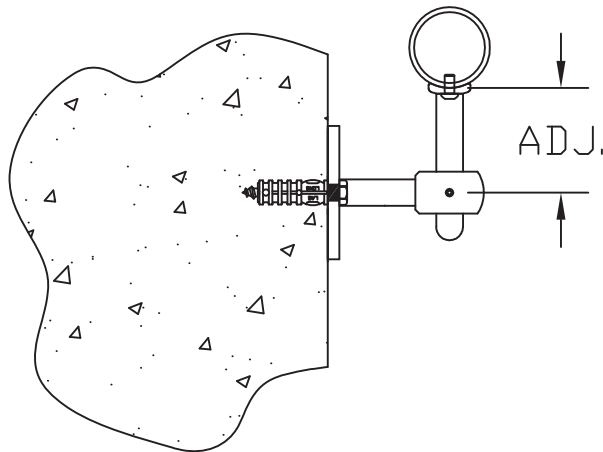


BENT RETURN STANDARD WIRE FEED

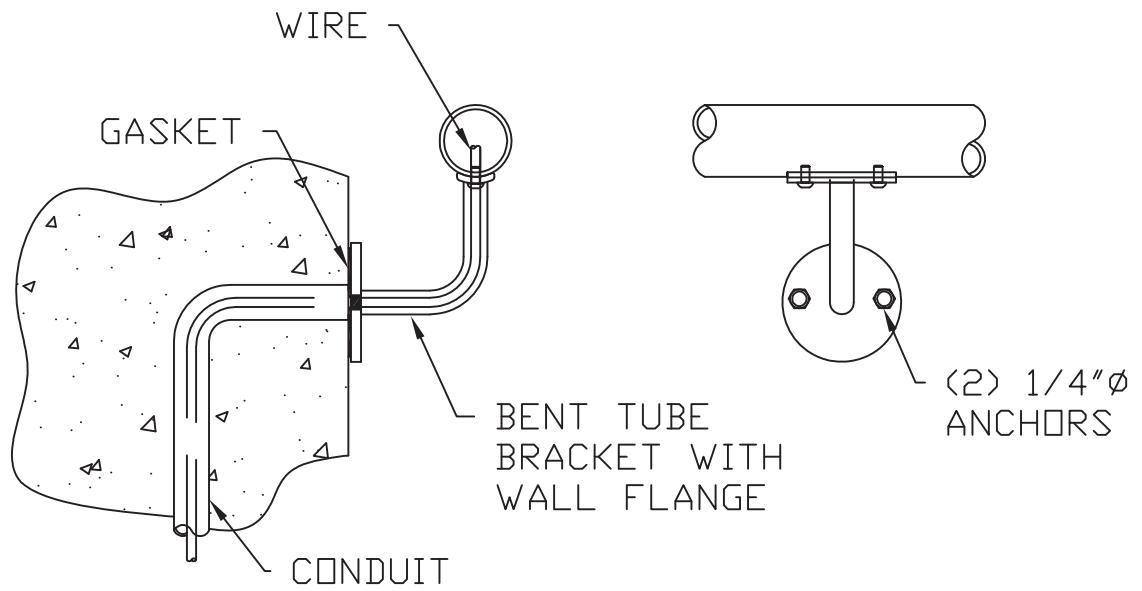


PROFILE RETURN STANDARD WIRE FEED

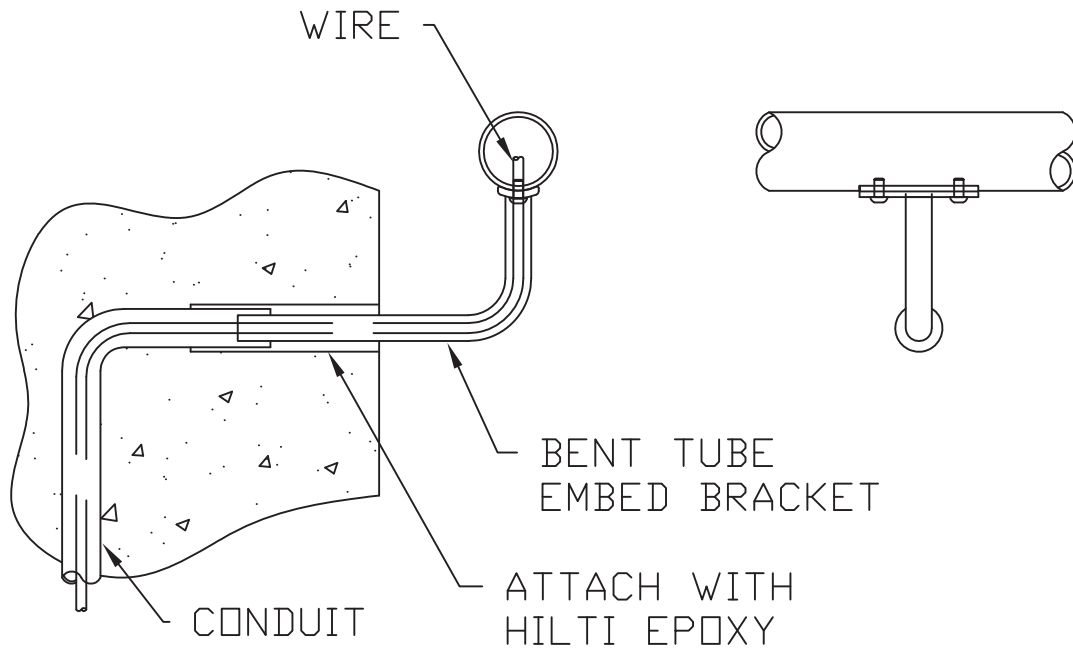
STANDARD WIRE FEED IS THROUGH END OF RAIL WALL RETURN. OPTIONAL THROUGH BRACKET WIRE FEED IS AVAILABLE



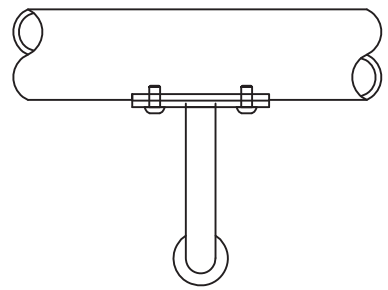
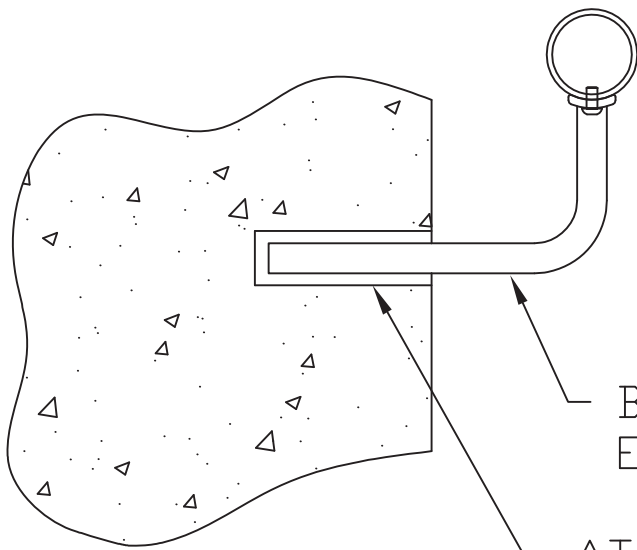
STANDARD WALL BRACKET



OPTION '1' WALL BRACKET WIRE FEED



OPTION '2' WALL BRACKET WIRE FEED



BENT ROD
EMBED BRACKET

ATTACH WITH
HILTI EPOXY

OPTION '2' WALL BRACKET WITH NO WIRE FEED